

UPG173RM17A1URackmount Console User Guide

Abstract

This guide provides operational guidance for UPG 173RM17A 1U Rackmount Console.

Model Number: 173RM17A

February 5, 2018

Edition: A



UPG Company LLC, 2018

The information contained herein is subject to change without notice. The only warranties for UPG products and services are set forth in the express warranty statements accompanying such products and services. Nothing herein should be construed as constituting an additional warranty. UPG shall not be liable for technical or editorial errors or omissions contained herein.

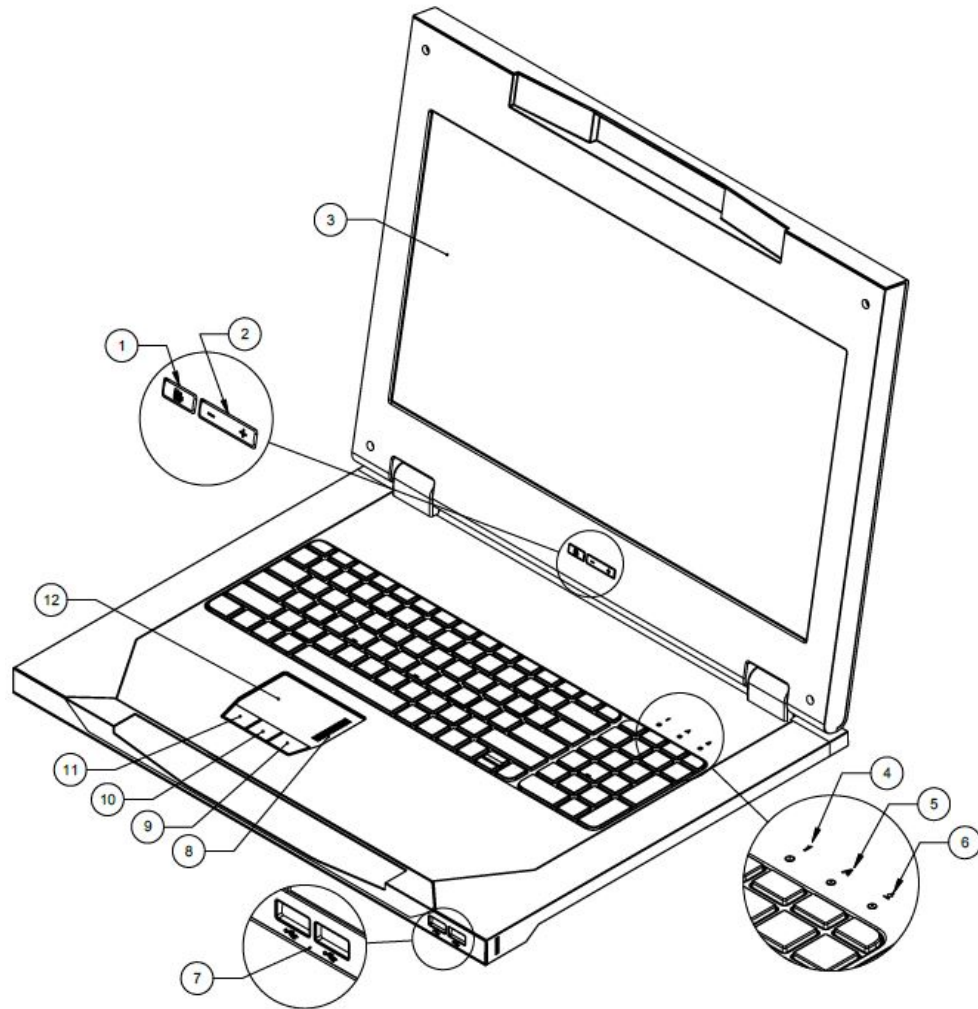
Contents

- Introduction 5
 - Main components 5
 - Rear components 6
- Installation 7
 - Kit contents 7
 - Installing the UPG Rackmount Keyboard Monitor KVM Console 8
 - Installing Brace Rail Assembly 9-10
 - Connecting and routing cables 11
 - Removing the UPG 1U Adjustable Toolless Rails 12
- Operational overview 13
 - On-screen display 14
 - Launching OSD menu 14
 - Navigating OSD 14
 - OSD menu 14
 - Auto Configuration 14
 - Brightness/Contrast 14
 - Image control 15
 - Input control 16
 - Advanced 16
 - Factory settings 17
 - Language 17
 - Information 17
- Maintenance 18
 - Maintenance guidelines 18
 - Cleaning the monitor 18
 - Shipping instructions 19
 - Moving a rack with the UPG [173RM17A] 1U Console installed 19
- Regulatory compliance notices 20
 - Regulatory compliance identification numbers 20
 - Federal Communications Commission notice 20
 - FCC rating label 20
 - FCC Notice, Class A Equipment 20
 - FCC Notice, Class B Equipment 20
 - Declaration of conformity for products marked with the FCC logo, United States only 21
 - Modifications 21
 - Cables 21
 - Canadian notice (Avis Canadian) 21
 - European Union regulatory notice 22
 - Japanese notice 23
 - BSMI notice 23
 - Korean notice 23
 - Chinese notice 24
 - China energy regulations 24
 - Disposal of waste equipment by users in private households in the European Union 25
 - Power cord requirement 25
 - Power cord statement for Japan 25

Electrostatic discharge..... 26
 Preventing electrostatic discharge..... 26
 Grounding methods to prevent electrostatic discharge..... 26

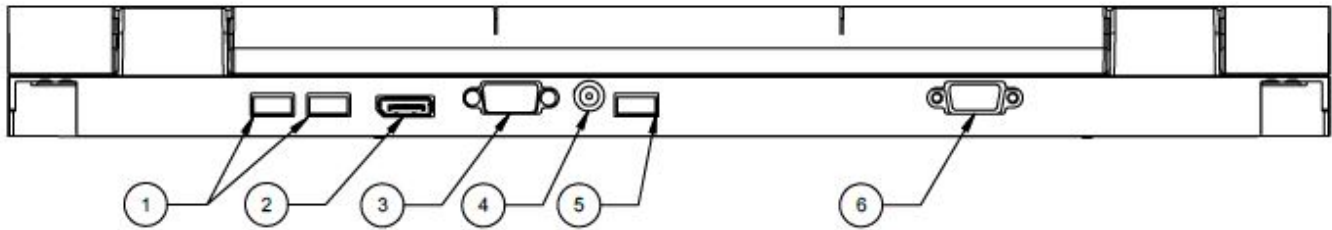
Introduction

Main features



Callout	Feature	Function
1	OSD activation button	<ul style="list-style-type: none">• Launches OSD menus• Selects• Exits menus and OSD
2	OSD scroll up and down button	Used to scroll in the OSD menu and adjust functions
3	LCD module	17.3 inch diagonal
4	Scroll lock LED	Lights when Scroll lock is on
5	Cap lock LED	Lights when Cap lock is on
6	Number lock LED	Lights when Number lock is on
7	USB connections	Pass-through to the rear USB 3.0 ports
8	Right pick button	Used to select the option on the right
9	Middle pick button	Used to select the option in the middle
10	Left pick button	Used to select the option on the left
11	Scroll bar	Used to scroll on the monitor
12	Touch Pad	Used to move the cursor on the monitor

Rear connectors



Callout	Connectors
1	USB 3.0 pass-through
2	DisplayPort
3	VGA input connector
4	A/C Power connector
5	USB 2.0 keyboard and mouse port
6	Serial firmware port

NOTE: Throughout the User Guide, some views will show more connectors for different model offerings

Installation

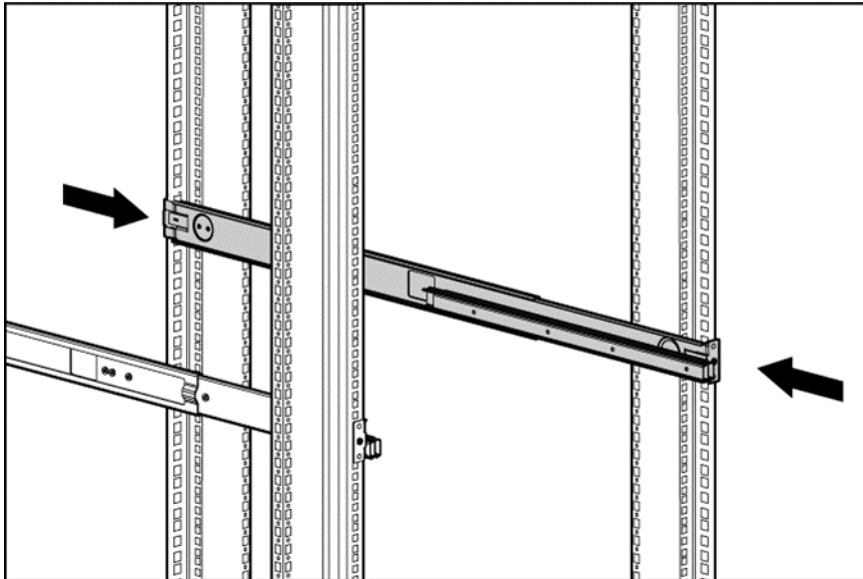
Kit contents

Item	Quantity
UPG 173RM173A 1U Rackmount Console	1
M6 screws	2
6-32 screws	5
UPG Adjustable Toolless Rails w/LH/RH slides	2
Cable management arm, power adapter with brace rail	1
Lock plates	2
USB 2.0 cable	1
USB 3.0 cables	2
Video cable	1
Power cords	2
USB cable labels	3

Note: This kit might contain extra hardware.

Installing the UPG 173RM173A 1U Rackmount Console

1. Align the UPG 1U Adjustable Toolless Rails with the holes marked on the rack, and snap them into place.
 - a. Snap one end of the UPG 1U Adjustable Toolless Rail into the retma rail.
 - b. Extend the other half of the UPG 1U Adjustable Toolless Rail to meet the appropriate rack depth, and snap into place.

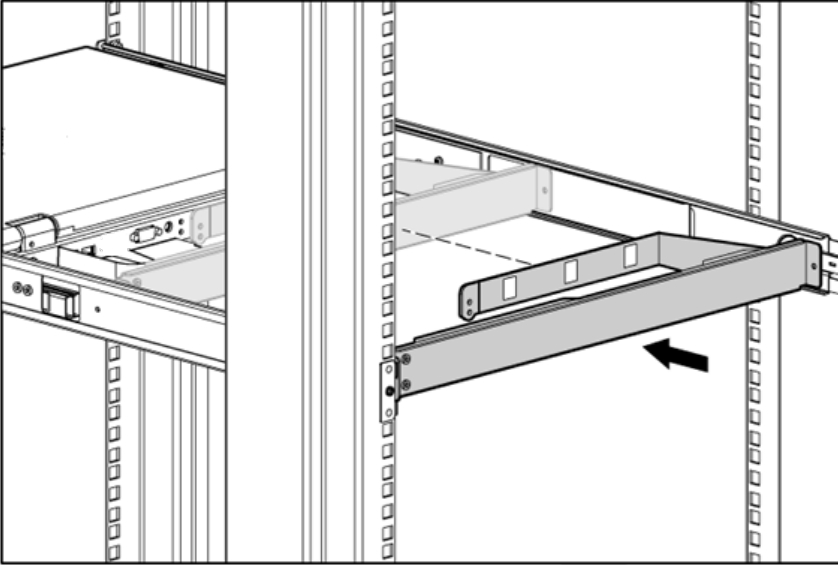


NOTE: If the UPG 1U Adjustable Toolless Rails do not snap into place, be sure that they align with the holes marked on the rack. The holes marked on the rack must be in the same location for the front and rear of the rack.

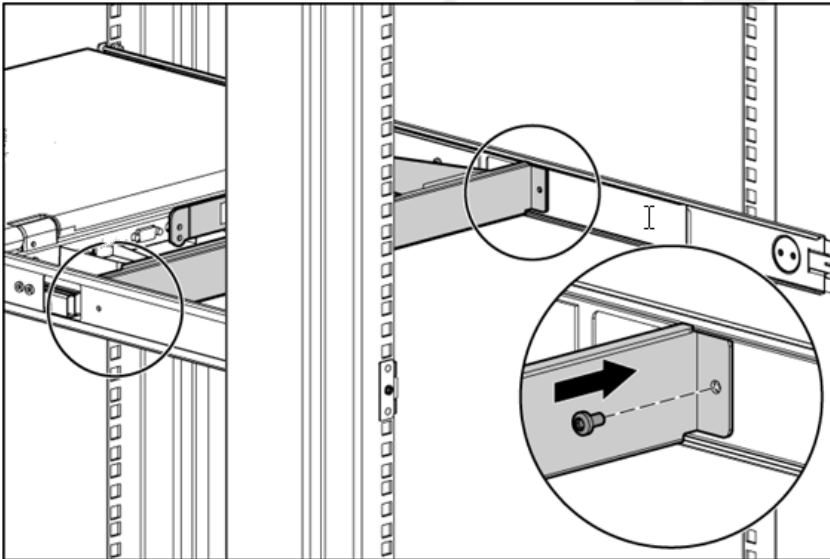
2. Extend the inner slide members until they lock into place.
3. Align the unit with the extended inner slide, and then insert the unit into the rack.



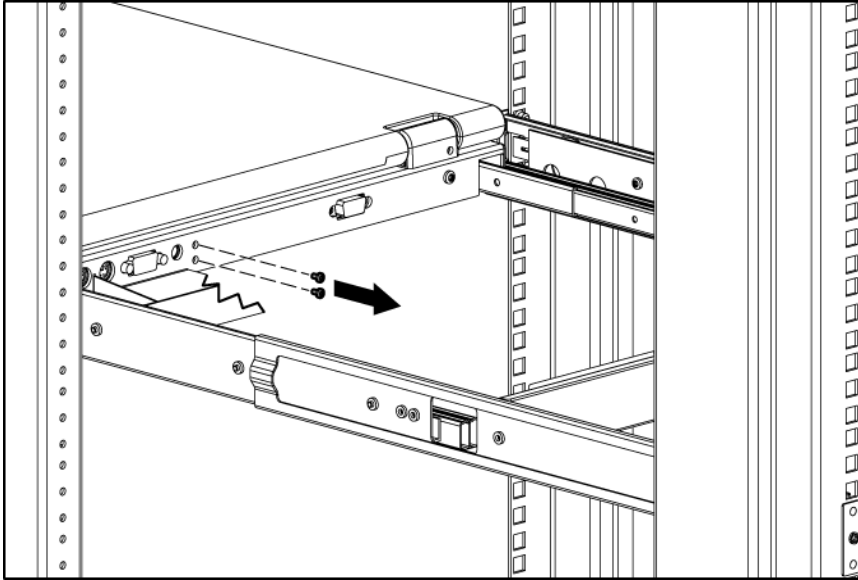
4. From the rear of the rack, slide the brace rail assembly in between the UPG 1U Adjustable Toolless Rails.



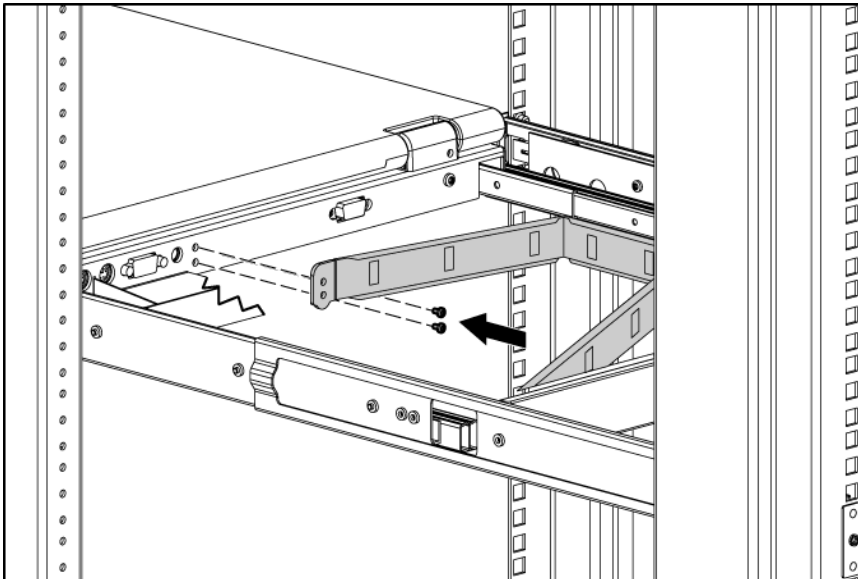
5. Align the screw holes on the brace rail with the screw holes on the UPG 1U Adjustable Toolless Rails.
6. Using two 6-32 screws, secure the brace rail to the UPG 1U Adjustable Toolless Rails.



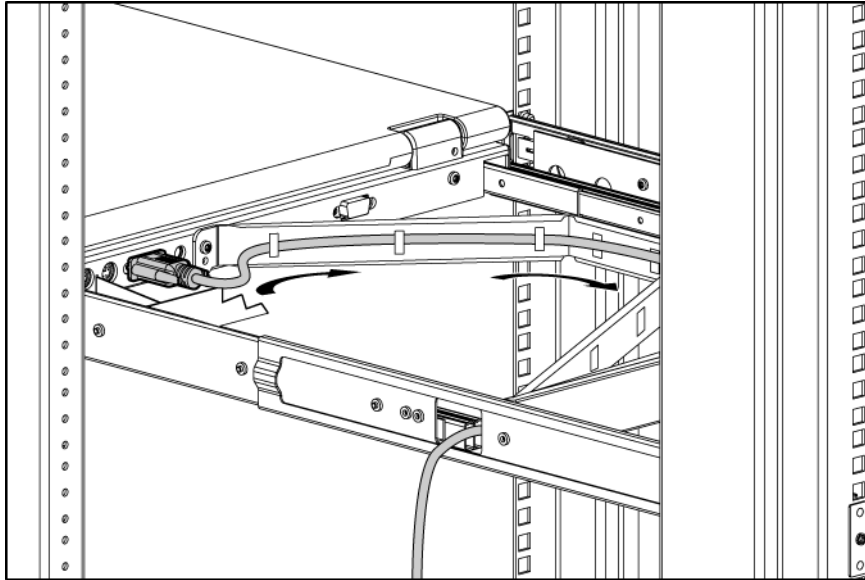
7. Remove the two 6-32 screws from the rear of the unit.



8. Attach the cable management arm to the rear of the unit with two 6-32 screws.



9. Connect and route the cables through the cable management arm and unit opening.



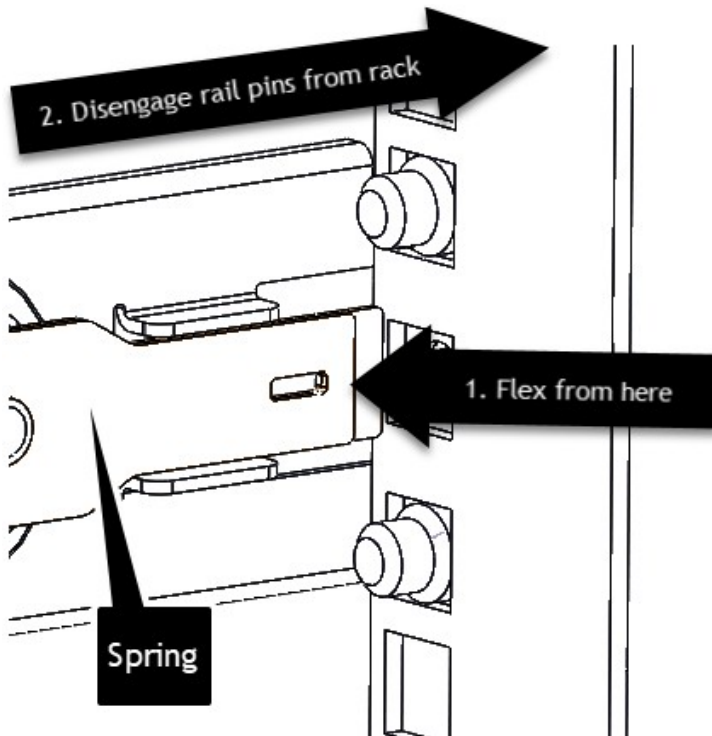
Installation is complete!

HINT: In some cases, the rack has equipment above and below the specific U space designated for the console. In that case, on a large table, one can install console on slide/rail asm, install brace rail/CMA asm, attach CMA to console and route the cables through CMA. At this point, it's recommended two people pick up the assembly and slide it in the 1U space from the front. Next, snap the front rails into position and then repeat on back side.

Removing the UPG 1U Adjustable Toolless Rails

1. Locate the spring.
2. Place your hand on the outside of the UPG 1U Adjustable Toolless Rail so that you can move the spring release.
3. Gently flex the spring release toward the inside of the rack (1) while moving the UPG 1U Adjustable Toolless Rail in direction shown (2).

Front & Rear



4. Repeat the previous steps for the other UPG 1U Adjustable Toolless Rail.

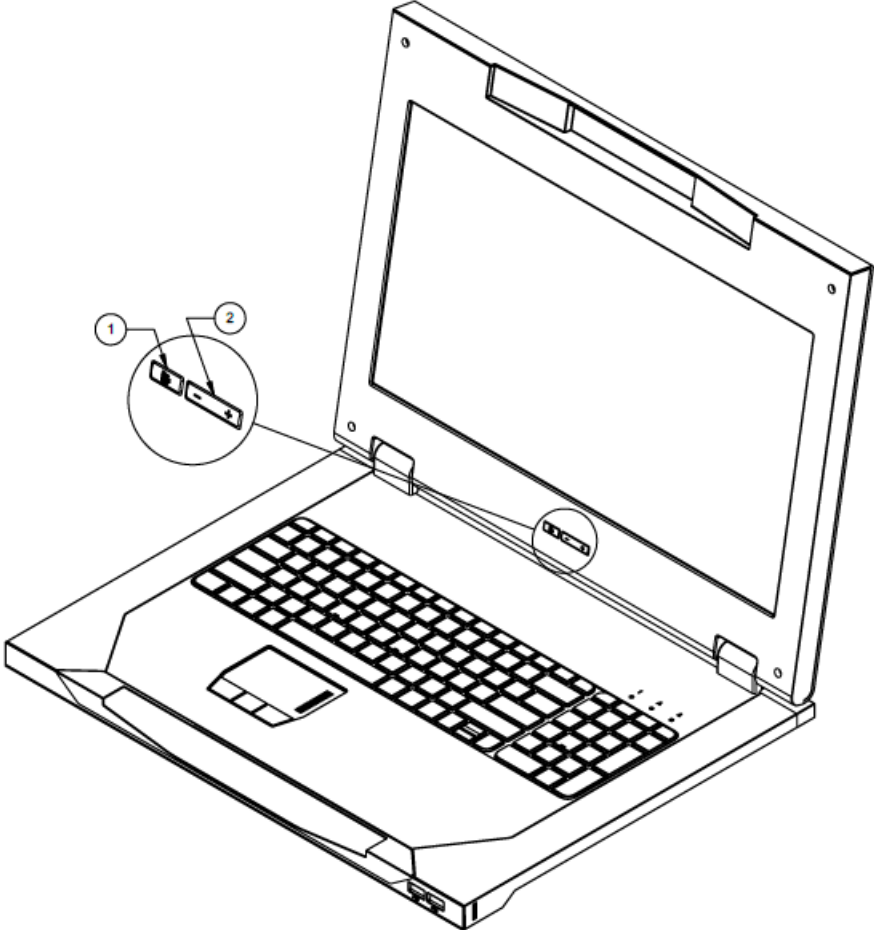
HINT: In some cases, the rack has equipment above and below the specific U space designated for the console. In that case, one can install console on slide/rail asm, install brace rail/CMA asm, attach CMA to console and route the cables through CMA.

NOTE: If you cannot gain access to the spring release from the outside of the UPG 1U Adjustable Toolless Rails, a tool might be required to unlock the spring release from the inside of the UPG 1U Adjustable Toolless Rail using a flat screwdriver that fits in the slot.

Operational overview

On-screen display

The buttons (item 1 & 2) are used to operate the UPG 1U Rackmount Console OSD menus.



Callout	Component	Function
1	OSD activation button	<ul style="list-style-type: none">• Launches OSD menu• Selects menu options• Exits menus and OSD
2	OSD scroll up and down button	Used to scroll in the OSD menu and adjust the function

Launching OSD menu

To launch the OSD menu:

1. Press the OSD activation button on the front panel. The main menu displays on the screen.
2. To select a menu item, scroll up or down by pressing OSD scroll up and down button.
3. Press the OSD activation button again to select your choice. A second level will expand menu items.

Navigating OSD

To navigate through the OSD menus and functions:

- Use the Up (+) or Down (-) button to scroll through the OSD menu or an OSD sub-menu. The Up (+) and Down (-) button are also used to adjust or change a function setting.
- Use the OSD activation button to select a sub-menu or a function.

Example:

To exit the OSD menu:

1. Press the Down (-) button to scroll to the Exit function.
2. Press the OSD activation button to select the Exit function and exit the OSD menu.

OSD menu

The OSD menu provides access to display settings and functions, enabling the user to customize the UPG 1U Rackmount Console display settings.

Auto Configuration

The Auto Configuration option performs four functions automatically:

- Auto Level—Automatically adjusts the black and white levels of the screen
- Auto Position—Automatically adjusts the position of the screen
- Auto Phase—Automatically adjusts the phase
- Auto Clock—Automatically adjusts the output clock per line to match the input

Brightness/Contrast

The Brightness/Contrast option contains the following options:

- Brightness
- Contrast
- Exit sub-menu

Brightness

The Brightness option displays a slider bar to enable the adjustment of the backlight brightness.

Contrast

The Contrast option displays a slider bar to enable the adjustment of the screen contrast. Contrast adjustments are more discernible when the background is white.

Image control

The Image control option contains the following sub-menu:

- Display Resolution Mode
 - a. Fill
 - b. Aspect
 - c. 1:1
 - d. Current Mode
 - e. Recommended Mode
 - f. Exit Sub-menu
- Horizontal position
- Vertical position
- Clock
- Phase
- Exit sub-menu

Horizontal position

The H position option displays a slider bar to enable the adjustment of the screen horizontal position.

The center of the bar is obtained from the factory-preset value for Horizontal Position. At value=MIN, the selection of + positioning response might vary between XGA and FHD panels. This is caused by physical limitations at MIN OSD placement.

Vertical position

The V position option displays a slider bar to enable the adjustment of the screen's vertical position.

The center of the bar is obtained from the factory-preset value for Vertical Position.

Clock

The Clock option displays a slider bar to enable the adjustment of the Horizontal Clocks.

Phase

The Phase option displays a slider bar to enable the adjustment of the analog signals phase.

DisplayPort will automatically be displayed on UPG KVM Console

Input control

The Input control option enables the user to select graphics manually from one of the two sources. The following options are available in the Input control menu list:

- VGA
- DP
- Exit sub-menu

Note: DisplayPort has priority over VGA. So, if DisplayPort is hot plugged when VGA is running, DisplayPort will take priority and graphics from DisplayPort will automatically be displayed on UPG 1U Rackmount Console screen.

Advanced

The Advanced option provides access to the following options:

- OSD settings menu
- Exit sub-menu

OSD settings

The OSD settings option provides access to the following options:

- Lock OSD settings
 - Yes
 - No
- Timeout
- V position
- H position
- Exit sub-menu

Lock OSD settings

The Lock OSD settings option locks or unlocks the OSD settings.

Timeout

The Timeout option displays a slider bar at the right side of the OSD display to enable the adjustment of OSD timeout. The timeout ranges from 5 to 60 seconds with 1-second intervals. The default setting is 10 seconds.

Vertical position

The V position option enables the location of the OSD window to move up or down on the screen.

Horizontal position

The H position option enables the location of the OSD window to move left or right on the screen.

Factory settings

The Factory settings option enables the user to set the UPG 173RM17A back to its original factory settings. The following options are available in the Factory settings menu list:

- Yes
- No
- Exit sub-menu

Language

The Language option allows the user to change the language in which the menu options are displayed. The following languages are available:

- English
- Japanese
- Spanish
- French
- German
- Simple Chinese

Information

The Information option provides the following unit information:

- Console Description
 - a. Console Part Number
 - b. Console Serial Number
 - c. Console UUID
 - d. Exit sub-menu
- SW Version
- Exit sub-menu

Maintenance

Maintenance guidelines

To protect your unit from overheating and other types of damage:

- Use only a power source and connection appropriate for this unit, as indicated on the marking label and back plate.
- If an extension cord or power strip is used, be sure that the cord or strip is rated for the product. Also, be sure that the total ampere ratings of all products plugged into the extension cord or power strip do not exceed 80% of the extension cord or power strip ampere ratings limit.
- Do not overload an electrical outlet, power strip, or convenience receptacle. The overall system load must not exceed 80% of the branch circuit rating. If power strips are used, do not allow the load to exceed 80% of the power strip input rating.
- Install the unit near an outlet that you can reach easily. Disconnect the unit by grasping the plug firmly and pulling it from the outlet. Do not disconnect the plug by pulling the cord.
- Disconnect the unit from the wall before cleaning. Do not use liquid or aerosol cleaners.
- Slots and openings in the monitor are provided for ventilation. These openings must not be blocked or covered. Do not push objects of any kind into these slots or openings.
- Do not drop the unit or place it on an unstable surface.
- Do not allow anything to rest on the power cord. Do not step on the cord.
- Keep the unit in a well-ventilated area, away from excessive light, heat, and moisture. Keep the monitor away from high-capacity transformers, electric motors, and other strong magnetic fields.
- Do not attempt to service this product yourself. Adjust only those controls that are covered by the operating instructions. If the unit is not operating properly or has been dropped or damaged, contact your UPG authorized dealer, reseller, or service provider.

Cleaning the monitor

To clean the display:

1. Turn off and unplug the unit.
2. Dust the panel by wiping the screen with a soft, clean cloth.

If the screen requires additional cleaning, use any anti-static LCD screen cleaner.

CAUTION: Do not use benzene, thinner, ammonia, or any volatile substance to clean the monitor screen or cabinet. These chemicals might damage the monitor. Never use water to clean an LCD screen.

Shipping instructions

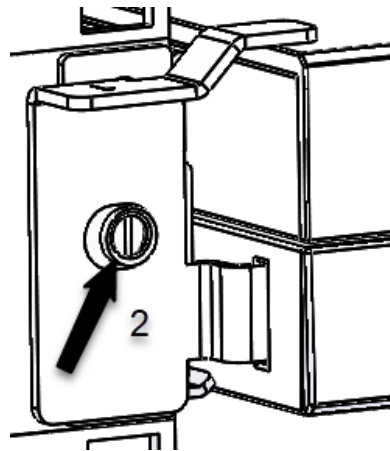
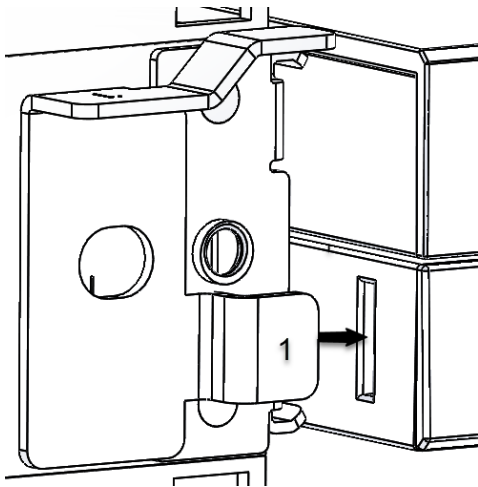
Keep the original packing box in a storage area in case you must move or ship your UPG 1U Rackmount Console.

Moving a rack with the UPG 173RM17A Console installed

When moving the UPG 1U Rackmount Console installed in a rack, UPG recommends that you install the lock plates (L & R), included in your kit, on each side of the unit and rack.

To install lock plates:

1. Slide lock plate into the slot on side of unit.
2. Insert one M6 screw through the hole on the lock plate, and thread into rail.
3. Repeat steps 1 and 2 to install the other lock plate.



Regulatory compliance notices

Regulatory compliance identification numbers

For the purpose of regulatory compliance certifications and identification, this product has been assigned a unique regulatory model number. The regulatory model number can be found on the product nameplate label, along with all required approval markings and information. When requesting compliance information for this product, always refer to this regulatory model number. The regulatory model number is not the marketing name or model number of the product.

Federal Communications Commission notice

Part 15 of the Federal Communications Commission (FCC) Rules and Regulations has established Radio Frequency (RF) emission limits to provide an interference-free radio frequency spectrum. Many electronic devices, including computers, generate RF energy incidental to their intended function and are, therefore, covered by these rules. These rules place computers and related peripheral devices into two classes, A and B, depending upon their intended installation. Class A devices are those that may reasonably be expected to be installed in a business or commercial environment. Class B devices are those that may reasonably be expected to be installed in a residential environment (for example, personal computers). The FCC requires devices in both classes to bear a label indicating the interference potential of the device as well as additional operating instructions for the user.

FCC rating label

The FCC rating label on the device shows the classification (A or B) of the equipment. Class B devices have an FCC logo or ID on the label. Class A devices do not have an FCC logo or ID on the label. After you determine the class of the device, refer to the corresponding statement.

FCC Notice, Class A Equipment

This equipment has been tested and found to comply with the limits for a Class A digital device, pursuant to Part 15 of the FCC Rules. These limits are designed to provide reasonable protection against harmful interference when the equipment is operated in a commercial environment. This equipment generates, uses, and can radiate radio frequency energy and, if not installed and used in accordance with the instructions, may cause harmful interference to radio communications. Operation of this equipment in a residential area is likely to cause harmful interference, in which case the user will be required to correct the interference at personal expense.

FCC Notice, Class B Equipment

This equipment has been tested and found to comply with the limits for a Class B digital device, pursuant to Part 15 of the FCC Rules. These limits are designed to provide reasonable protection against harmful interference in a residential installation. This equipment generates, uses, and can radiate radio frequency energy and, if not installed and used in accordance with the instructions, may cause harmful interference to

radio communications. However, there is no guarantee that interference

will not occur in a particular installation. If this equipment does cause harmful interference to radio or television reception, which can be determined by turning the equipment off and on, the user is encouraged to try to correct the interference by one or more of the following measures:

- Reorient or relocate the receiving antenna.
- Increase the separation between the equipment and receiver.
- Connect the equipment into an outlet on a circuit that is different from that to which the receiver is connected.
- Consult the dealer or an experienced radio or television technician for help.

Declaration of conformity for products marked with the FCC logo, United States only

This device complies with Part 15 of the FCC Rules. Operation is subject to the following two conditions: (1) this device may not cause harmful interference, and (2) this device must accept any interference received, including interference that may cause undesired operation.

For questions regarding this product, contact UPG.

To identify this product, refer to the part, series, or model number found on the product.

Modifications

The FCC requires the user to be notified that any changes or modifications made to this device that are not expressly approved by UPG Company LLC may void the user's authority to operate the equipment.

Cables

Connections to this device must be made with shielded cables with metallic RFI/EMI connector hoods in order to maintain compliance with FCC Rules and Regulations.

Canadian notice (Avis Canadian)

Class A equipment

This Class A digital apparatus meets all requirements of the Canadian Interference-Causing Equipment Regulations.

Cet appareil numérique de la classe A respecte toutes les exigences du Règlement sur le matériel brouilleur du Canada.

Class B equipment

This Class B digital apparatus meets all requirements of the Canadian Interference-Causing Equipment Regulations.

Cet appareil numérique de la classe B respecte toutes les exigences du Règlement sur le matériel brouilleur du Canada.

European Union regulatory notice

Products bearing the CE marking comply with the following EU Directives:

- Low Voltage Directive 2006/95/EC
- EMC Directive 2004/108/EC
- Ecodesign Directive 2009/125/EC, where applicable

CE compliance of this product is valid if powered with the correct CE-marked AC adapter provided by UPG.

The compliance is indicated by one of the following conformity markings placed on the product:

For non-telecommunications products and for EU harmonized telecommunications products, such as Bluetooth® within power class below 10mW.

For EU non-harmonized telecommunications products (If applicable, a 4-digit notified body number is inserted between CE and !).

Please refer to the regulatory label provided on the product.

Japanese notice

ご使用になっている装置に VCCI マークが付いていましたら、次の説明文をお読み下さい。

この装置は、クラス B 情報技術装置です。この装置は、家庭環境で使用することを目的としていますが、この装置がラジオやテレビジョン受信機に近接して使用されると、受信障害を引き起こすことがあります。取扱説明書に従って正しい取り扱いをして下さい。

VCCI-B

VCCI マークが付いていない場合には、次の点にご注意下さい。

この装置は、クラス A 情報技術装置です。この装置を家庭環境で使用すると電波妨害を引き起こすことがあります。この場合には使用者は適切な対策を講ずるよう要求されることがあります。

VCCI-A

BSMI notice

警告使用者:

這是甲類的資訊產品，在居住的環境中使用時，可能會造成射頻干擾，在這種情況下，使用者會被要求採取某些適當的對策。

Korean notice

Class A equipment

A급 기기 (업무용 방송통신기기)	이 기기는 업무용(A급)으로 전자파적합등록을 한 기기이오니 판매자 또는 사용자는 이 점을 주의하시기 바라며, 가정 외의 지역에서 사용하는 것을 목적으로 합니다.
-----------------------	---

Class B equipment

B급 기기 (가정용 방송통신기기)	이 기기는 가정용(B급)으로 전자파적합등록을 한 기기로서 주로 가정에서 사용하는 것을 목적으로 하며, 모든 지역에서 사용할 수 있습니다.
-----------------------	--

Chinese notice

Class A equipment

声明

此为 A 级产品，在生活环境中，该产品可能会造成无线电干扰。在这种情况下，可能需要用户对其干扰采取可行的措施。

China energy regulations

China energy regulations

根据中国大陆<<能源效率标识管理办法 In accordance with the China Regulation of the Implementation on China Energy:	本显示器符合以下要求: This PC Monitor is compliant with the following requirements:
能源效率(cd/W) Energy Efficiency (cd/W)	≥0.16
关闭状态(W) Energy consumption in off mode (W)	≤1.0
能效等级 Energy Efficiency Level	2级
能效标准 Code of National Standard applied	GB 21520-2008

Disposal of waste equipment by users in private households in the European Union



This symbol on the product or on its packaging indicates that this product must not be disposed of with your other household waste. Instead, it is your responsibility to dispose of your waste equipment by handing it over to a designated collection point for the recycling of waste electrical and electronic equipment. The separate collection and recycling of your waste equipment at the time of disposal will help to conserve natural resources and ensure that it is recycled in a manner that protects human health and the environment. For more information about where you can drop off your waste equipment for recycling, please contact your local city office, your household waste disposal service or the shop where you purchased the product.

Power cord requirement

The power cord should be approved for use in your country. The power cord must be rated for the product and for the voltage and current marked on the electrical ratings label of the product. The voltage and current rating for the cord should be greater than the voltage and current rating marked on the product. In addition, the diameter of the wire must be a minimum of 1.00 mm² or 18 AWG, your maximum length may be up to 3.66 m (10 ft).

Power cord statement for Japan

製品には、同梱された電源コードをお使い下さい。
同梱された電源コードは、他の製品では使用出来ません。

Electrostatic discharge

Preventing electrostatic discharge

To prevent damaging the system, be aware of the precautions you need to follow when setting up the system or handling parts. A discharge of static electricity from a finger or other conductor may damage system boards or other static-sensitive devices. This type of damage may reduce the life expectancy of the device.

To prevent electrostatic damage:

- Avoid hand contact by transporting and storing products in static-safe containers.
- Keep electrostatic-sensitive parts in their containers until they arrive at static-free workstations.
- Place parts on a grounded surface before removing them from their containers.
- Avoid touching pins, leads, or circuitry.
- Always be properly grounded when touching a static-sensitive component or assembly.

Grounding methods to prevent electrostatic discharge

Several methods are used for grounding. Use one or more of the following methods when handling or installing electrostatic-sensitive parts:

- Use a wrist strap connected by a ground cord to a grounded workstation or computer chassis. Wrist straps are flexible straps with a minimum of 1 megohm ± 10 percent resistance in the ground cords. To provide proper ground, wear the strap snug against the skin.
- Use heel straps, toe straps, or boot straps at standing workstations. Wear the straps on both feet when standing on conductive floors or dissipating floor mats.
- Use conductive field service tools.
- Use a portable field service kit with a folding static-dissipating work mat.

If you do not have any of the suggested equipment for proper grounding, have an authorized reseller install the part.

For more information on static electricity or assistance with product installation, contact an authorized reseller.